

# SIGNAL TRANSMITTER

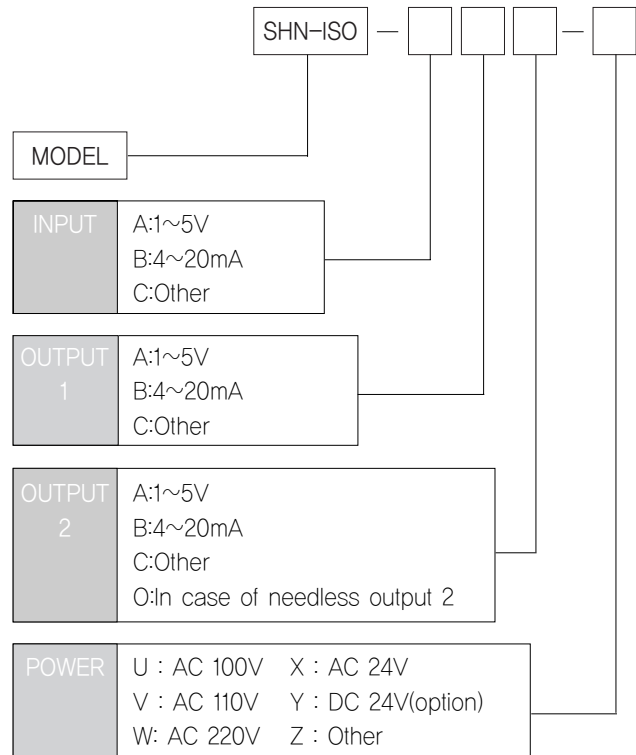
SHN-ISO



A converter is used to transmits DC signal in isolated condition.

- Isolation between control room and field instrumentation.
- 1 or 2 outputs are available from 1 input.
- Contains overvoltage protection circuit.
- Transformer isolation type.

## MODEL & SUFFIX CODE SELECTION



## GENERAL SPECIFICATIONS

Isolation/Type	Input to output to power/Transformer isolation type		
Power Supply	AC rating $\pm 10\%$ , approx. 3.5VA DC rating $\pm 10\%$ , (ripple 10%)100mA		
Accuracy	$\pm 0.1\%$ (Max)		
Temp Coefficient	$\pm 0.015\%$ / $^{\circ}\text{C}$ ( $\pm 0.008\%$ / $^{\circ}\text{F}$ )		
Linearity	$\pm 0.02\%$ F.S		
Insulation Resistance	Greater than 100M $\Omega$ with DC 500V		
Dielectric Strength	Input - Power	AC 2500V	1 minute
	Input - Output		
	Output 1 - Output 2		
	GND - Power		
Front Adjustments	Zero and Span $\pm 5\%$		
Overrange Output	approx. $-10\% \sim 110\%$ at DC 1~5V		
Response Time	$\leq 0.5$ sec (0~90%)		
Operating Temperature/Humidity	$-20 \sim 60^{\circ}\text{C}$ / 90%(N,C)		
Storage Temperature/Humidity	$-20 \sim 80^{\circ}\text{C}$ / 95%(N,C)		
Dimensions	8 pin:W50xH85xD122(mm) 11 pin:W50xH85xD133(mm)		
Case Material	ABS Resin (black)		
Weight	about 400g		
Mounting	Wall & Rail mounting		

**INPUT & OUTPUT SPECIFICATIONS**

**Input Impedance**

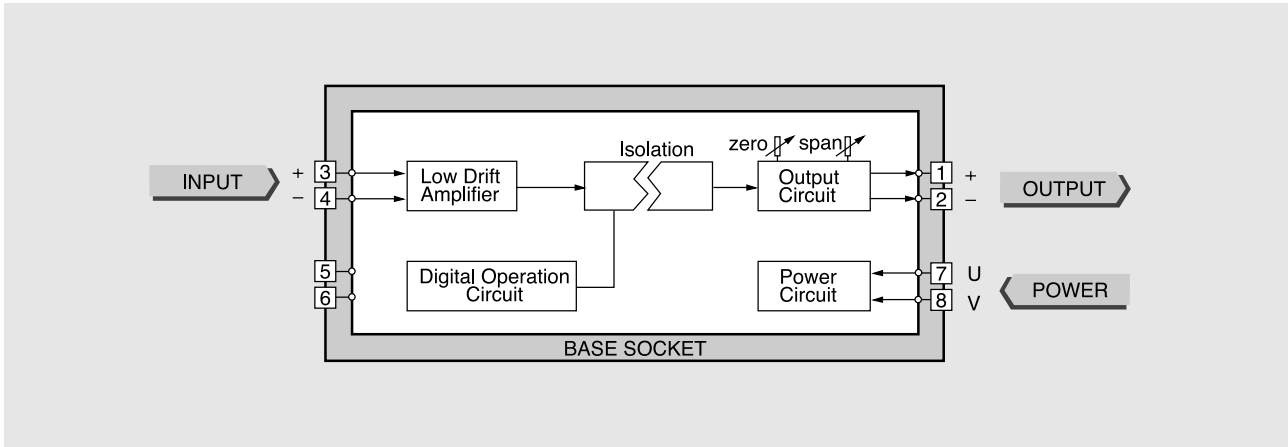
Input	Impedance
4~20mA	250Ω
1~5V	1MΩ (Min)

**Output Load Resistance**

Output	1 Point	2 Point		Remark
	Output	Output-1	Output-2	
4 ~ 20mA	700Ω	600Ω	350Ω	(Max)
1 ~ 5V	5kΩ	5kΩ	5kΩ	(Min)

**BLOCK DIAGRAM**

**1 Point Output**



**2 Point Output**

